

# Fitting guide

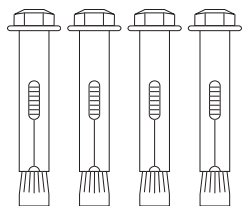
---

To reduce the risk of theft it is essential that your safe is securely fixed. Please use the included bolts and secure to a solid concrete floor.

For maximum performance and correct installation a professional locksmith must install the safe.

Before operating your new Yale safe, please read the user manual.

For any inquiries visit [www.yalelock.com](http://www.yalelock.com)

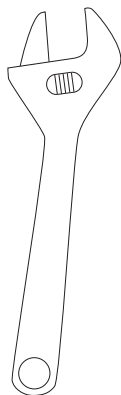


4 x Included fixing bolts

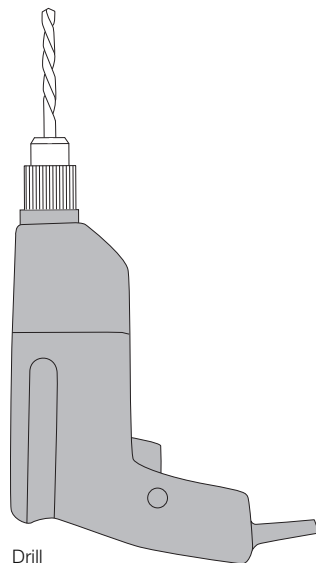
Tools to fix bolts  
(not included)



Pencil



Spanner



Drill



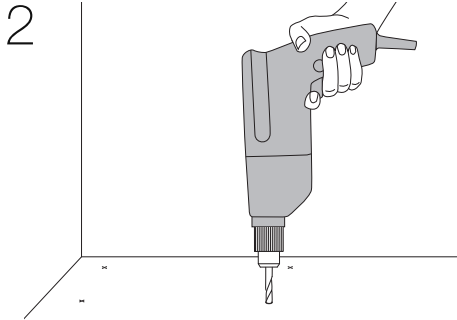
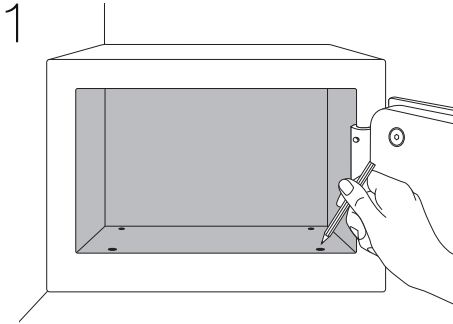
The performance of the safe is dependant on the quality of the installation and the quality of material to which the safe is fixed.



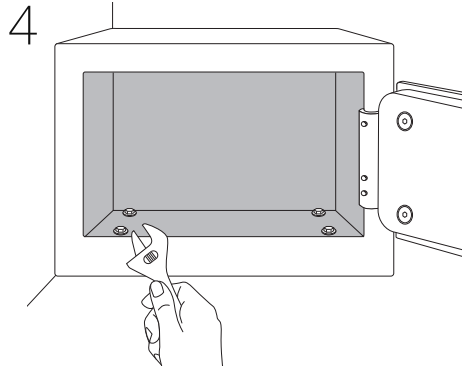
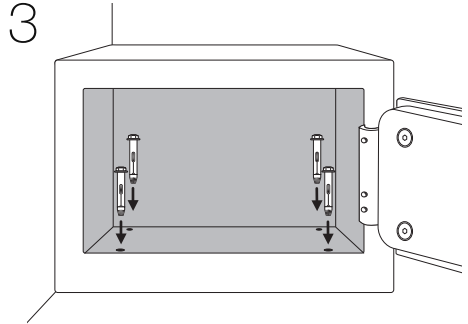
This product is heavy. Incorrect installation may result in injury.

Before fixing the safe please ensure:

- That the safe is placed horizontally.
- To keep the safe in a dry environment to prevent corrosion to the safe and locking mechanism.
- To use the fixing bolts provided for installation on a solid concrete floor.



- 
- 1** Mark the position of the safe through fixing holes.
  - 2** Remove the safe and drill the holes as marked.



- 
- 3** Reposition the safe over the holes. Drop the bolts through the safe and into the drilled holes. You may have use a hammer to drive the bolts down.
  - 4** Tighten the fixing bolts firmly and ensure there is no movement of the safe.