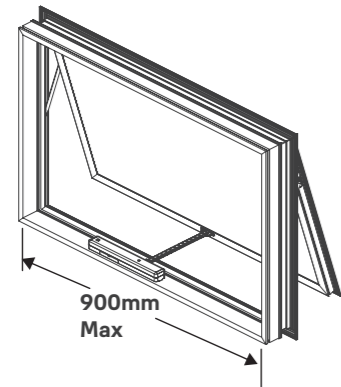


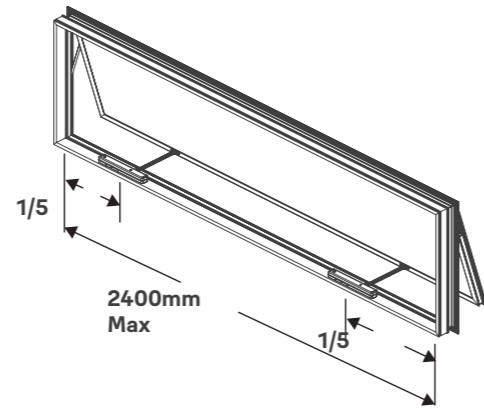
Aeron® Window Actuator

Fitting instructions

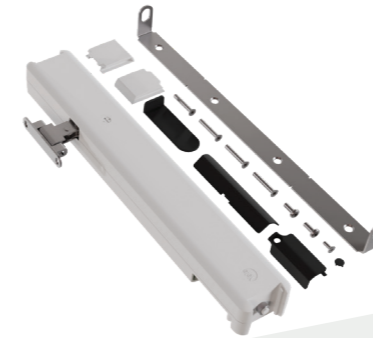
Yale



One Aeron



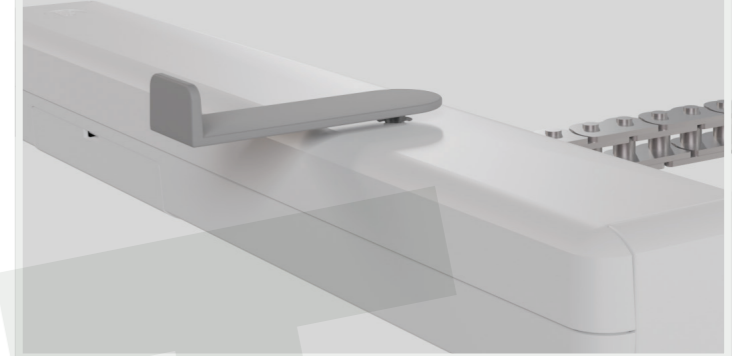
Two Aerons



In the box:

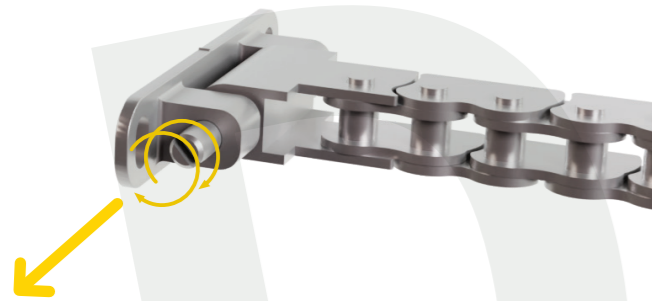
- Main actuator body
- Pivot Bracket
- End Caps (*2)
- Power & Sync Port Cover
- Module Cover
- Chain Release Tool
- Chain Release Cover
- Screw Pack

Step 1



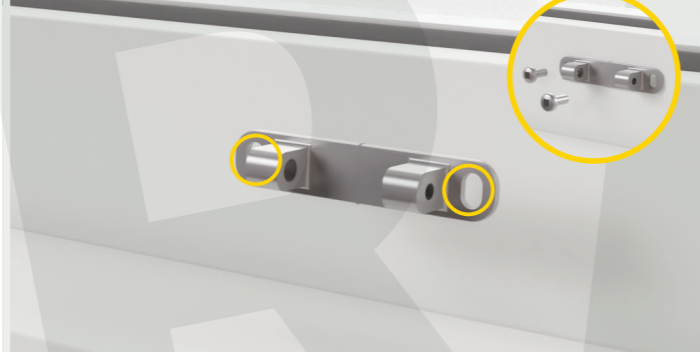
Locating the **Chain Release Tool**, insert into the clutch gear. Extend the chain until it is at a comfortable working length and then remove the Chain Release Tool.

Step 2



With a flat head screw driver, unscrew the **Sash Bracket** pin and remove the Sash Bracket from the chain.

Step 3



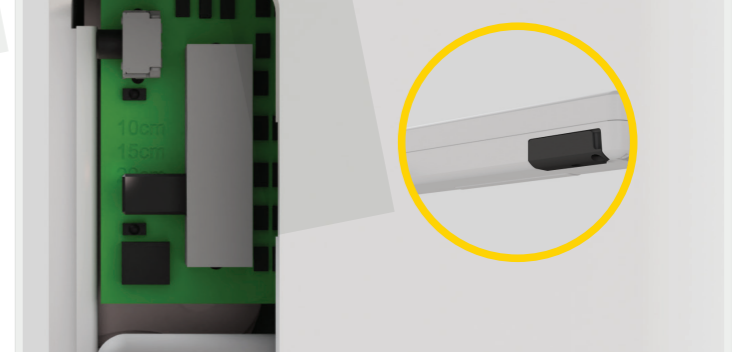
Align the **Sash Bracket** on the sash at the desired position. Mark the fixing hole locations. Drill the holes for the Sash Bracket. Then affix the Sash Bracket to the window sash with the supplied screws.

Step 4



Place the **Pivot Bracket** on the window sill where the actuator will be situated. Mark the fixing hole locations. **The notches in the Pivot Bracket needs to align with the centre of the Sash Bracket.** Drill the holes for the Pivot Bracket. Then affix the Pivot Bracket to the window sill.

Step 5



Note: The electrical wiring installation will be carried out by certified professionals and electricians.

Step 6



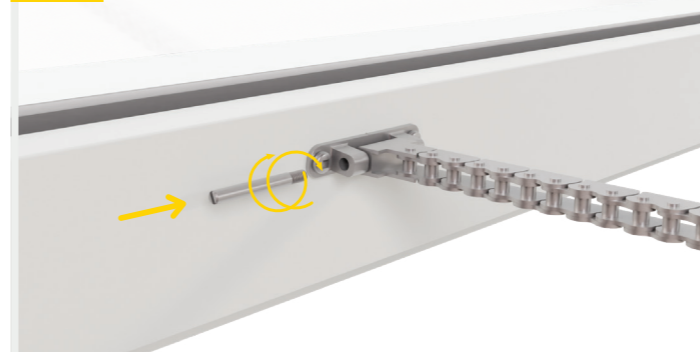
To mount the actuator, tilt the actuator body and insert the locating pin into the Pivot Bracket. Once in place, fit the opposite end in the same manner.

Step 7



Install the actuator end caps, ensuring they are flush with the body.
Note: The actuator end caps are colour-matched.

Step 8



Reinsert the Sash Bracket locking pin. Using a flat head screwdriver, ensure the locking pin is adequately tightened.

Step 9



Reinsert the **Clutch Cap** and push into place.