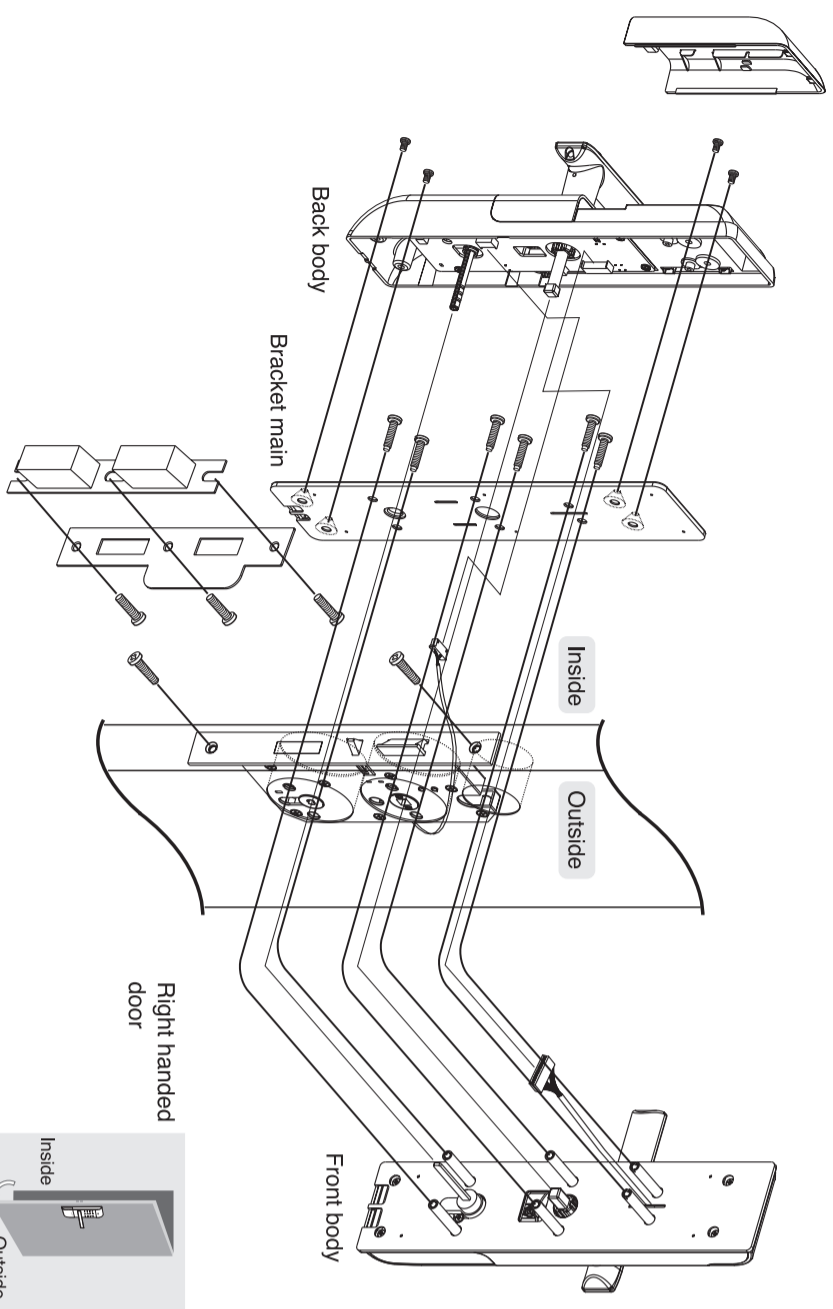


Installation view

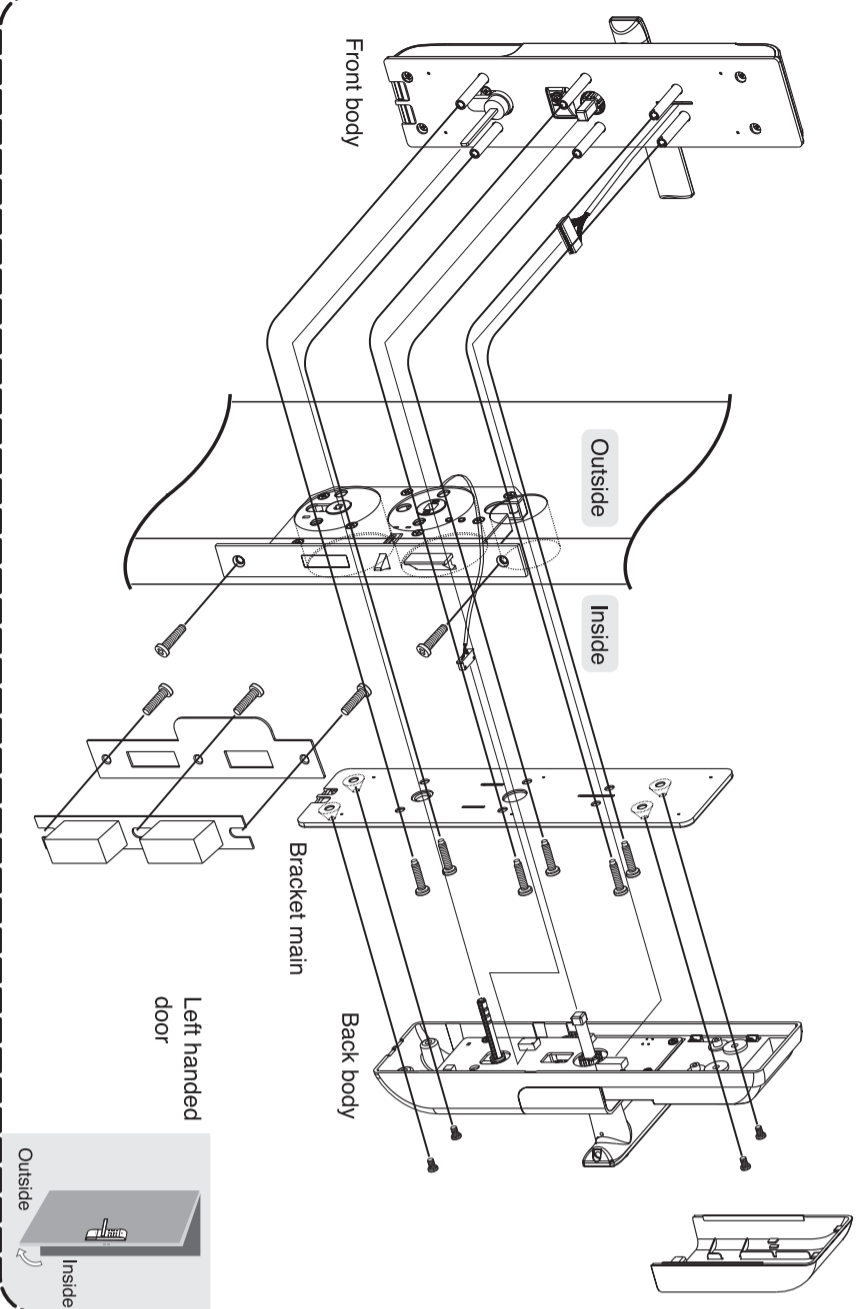
※ Factory default : Right handed door



※ Make sure to check door side before you install. (See "2 Determine door type")

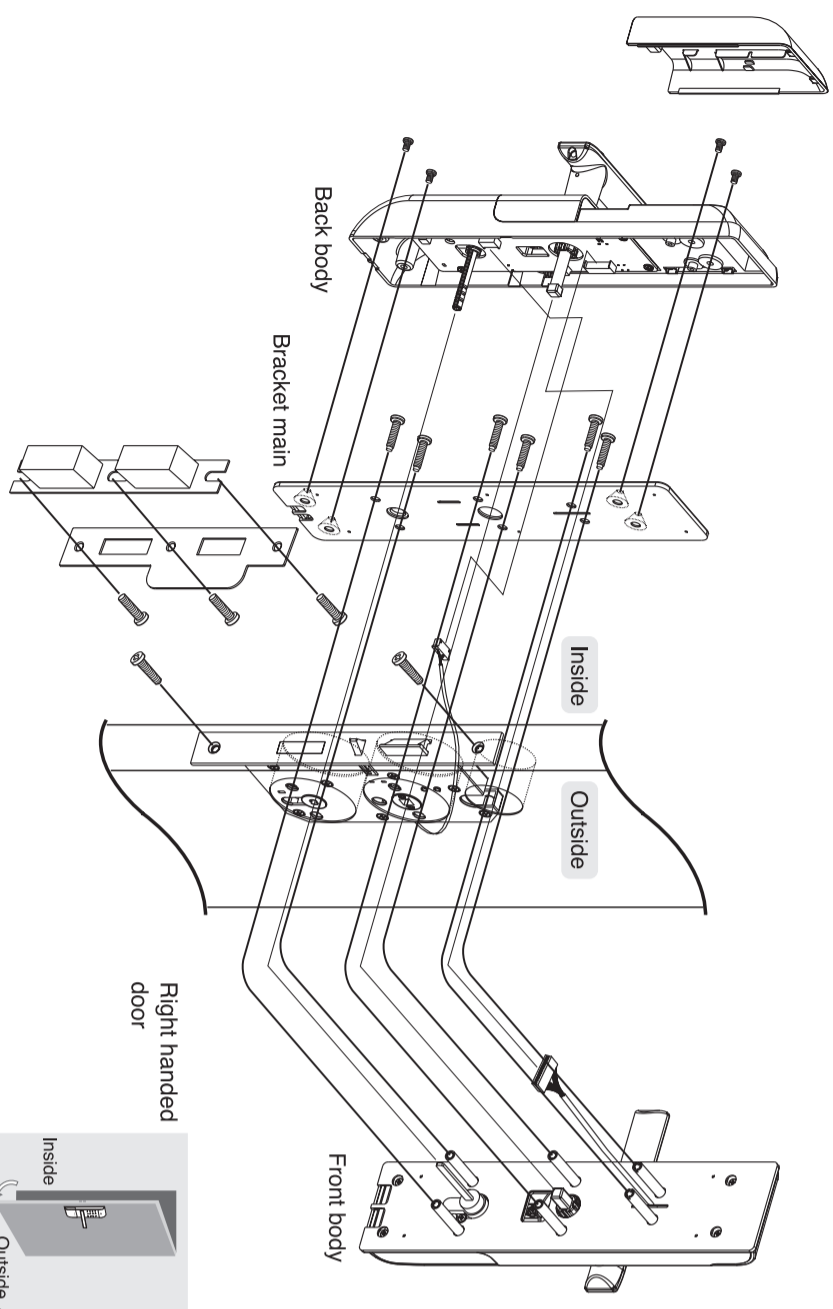
how to set : It automatically sets when putting batteries. The door should open position.

Left handed door



Installation view

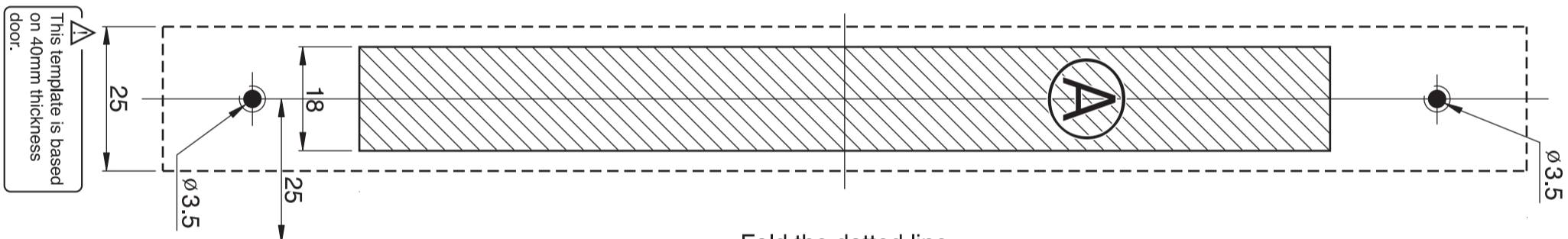
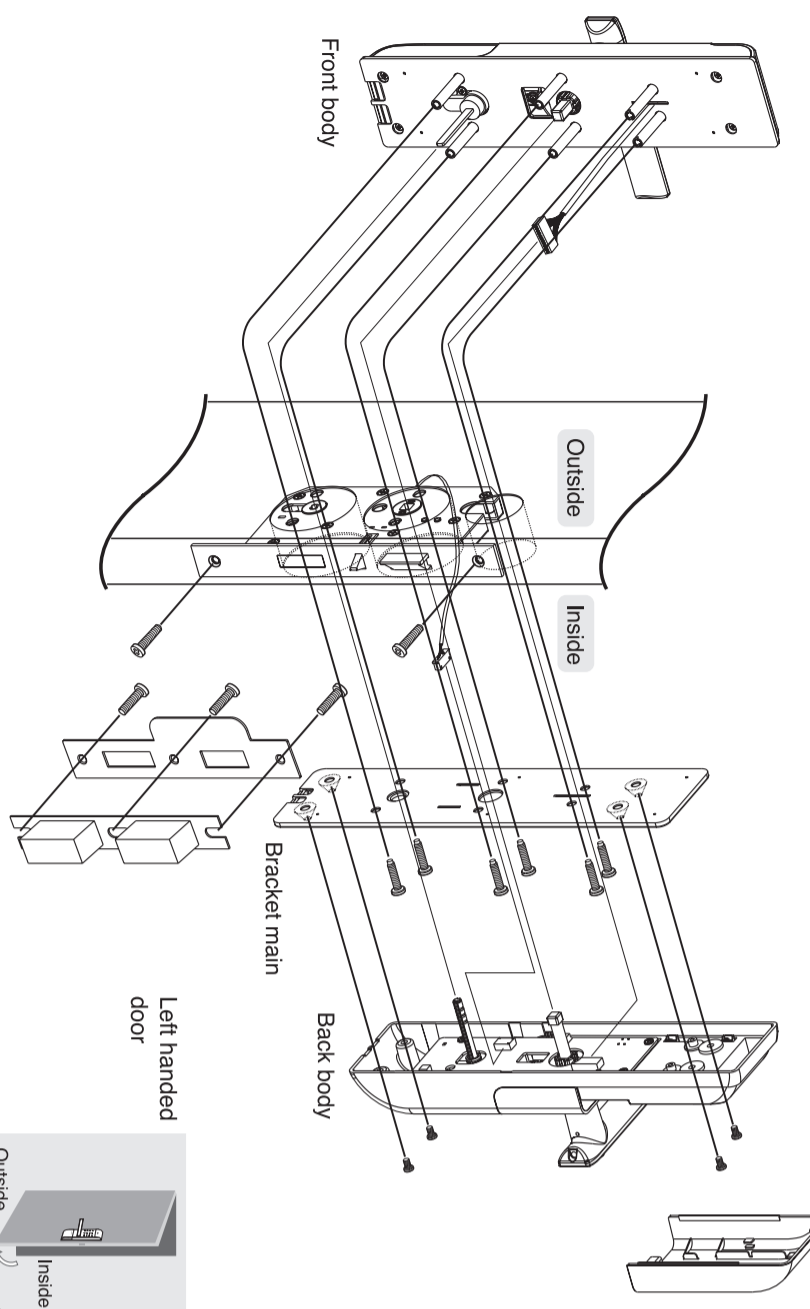
※ Factory default : Right handed door



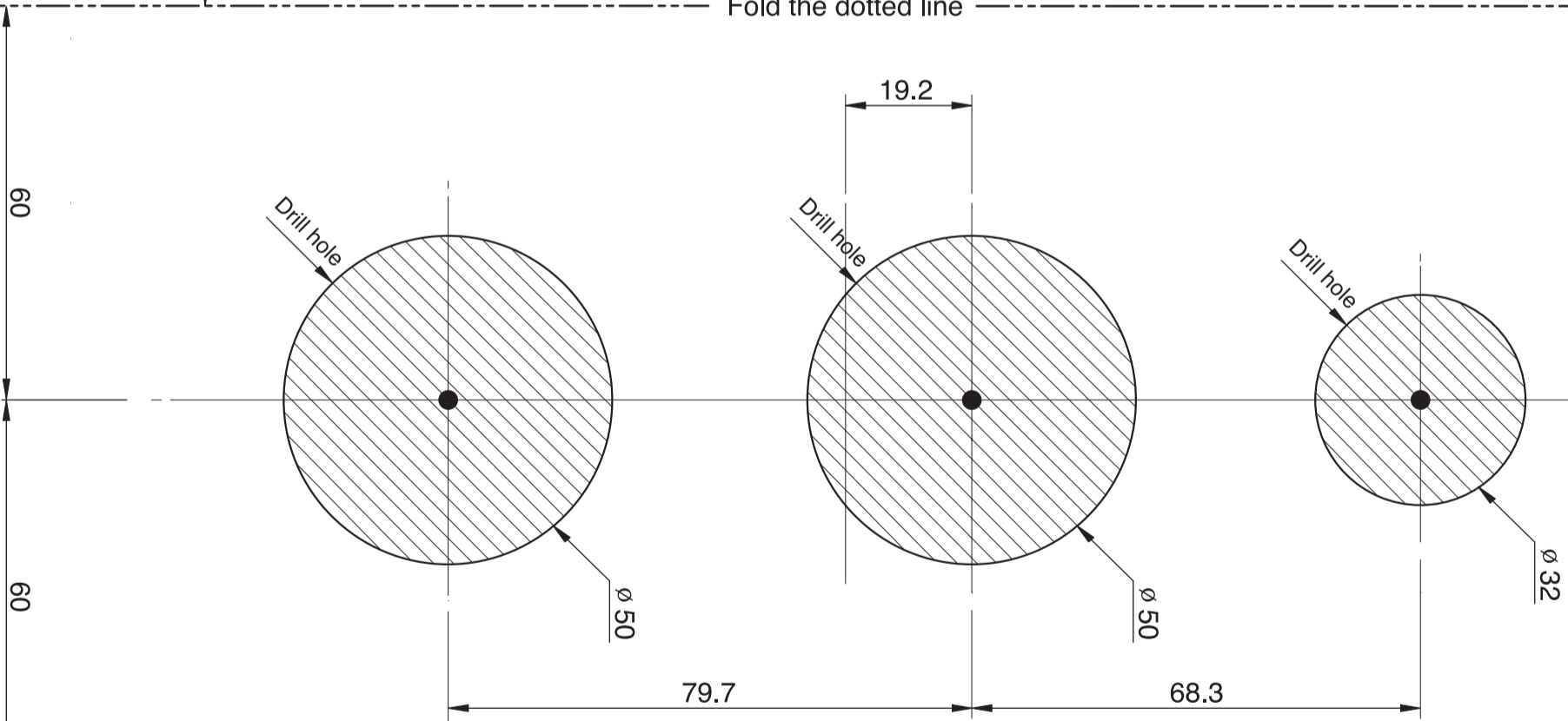
※ Make sure to check door side before you install. (See "2 Determine door type")

how to set : It automatically sets when putting batteries. The door should open position.

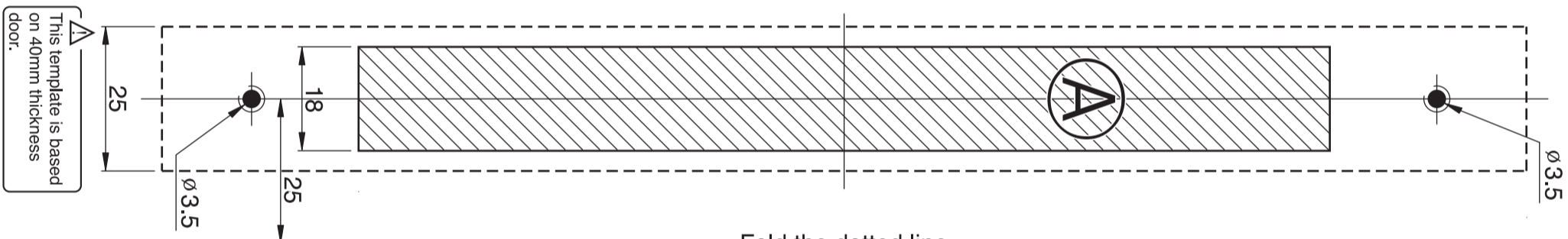
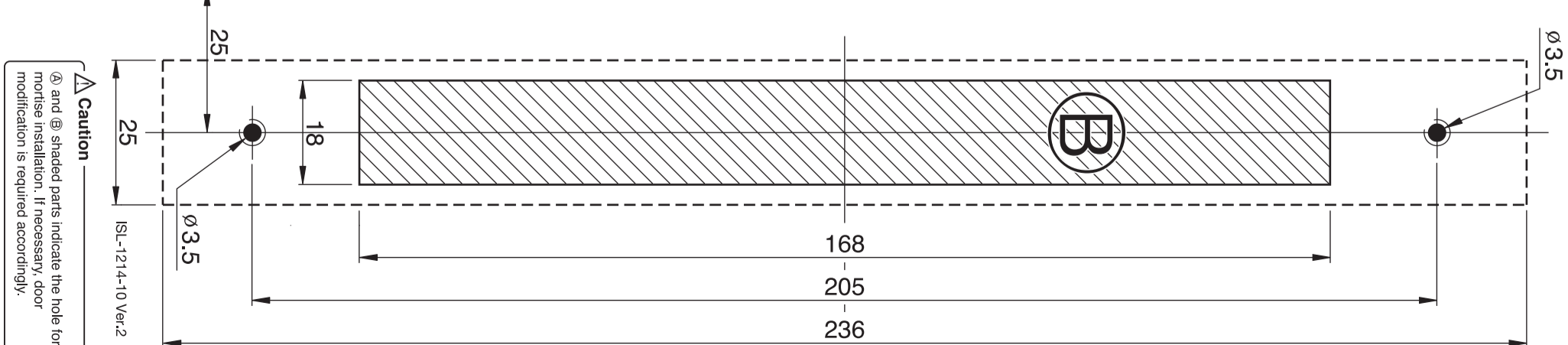
Left handed door



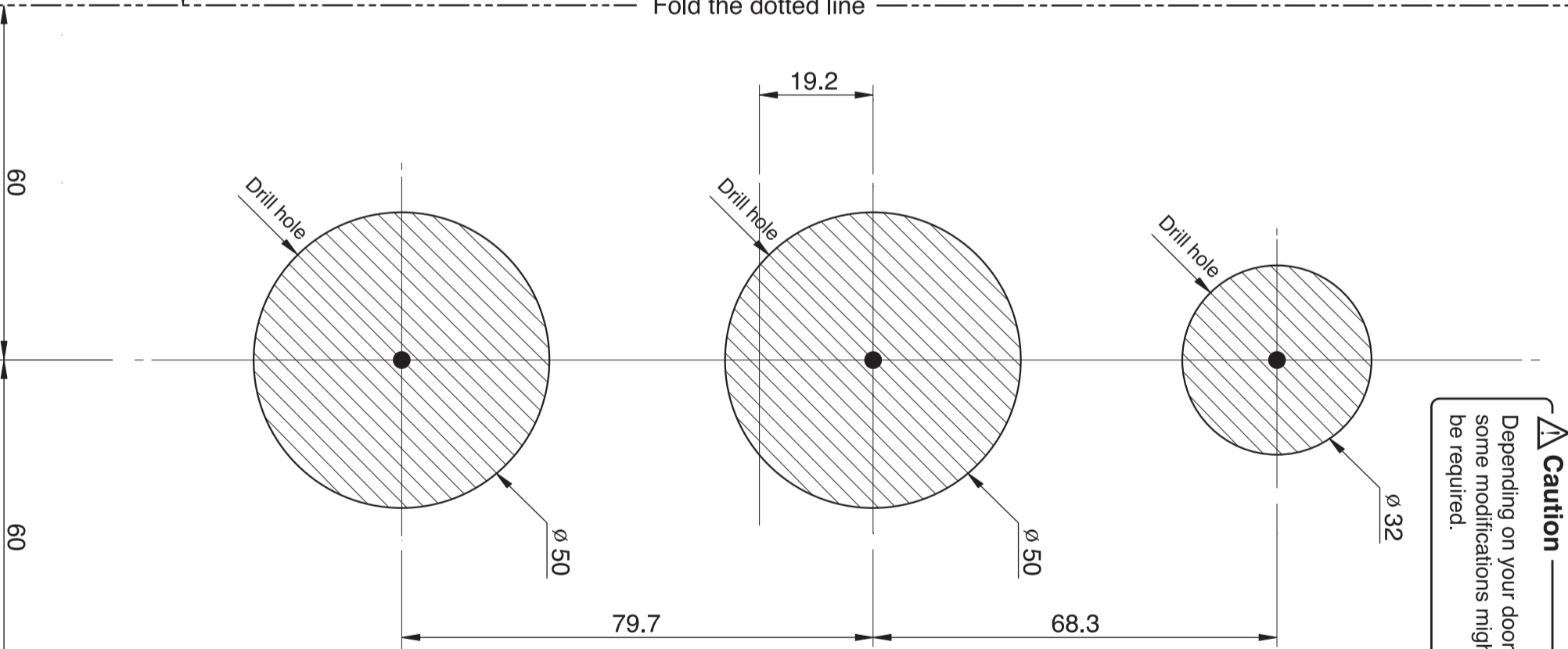
Fold the dotted line



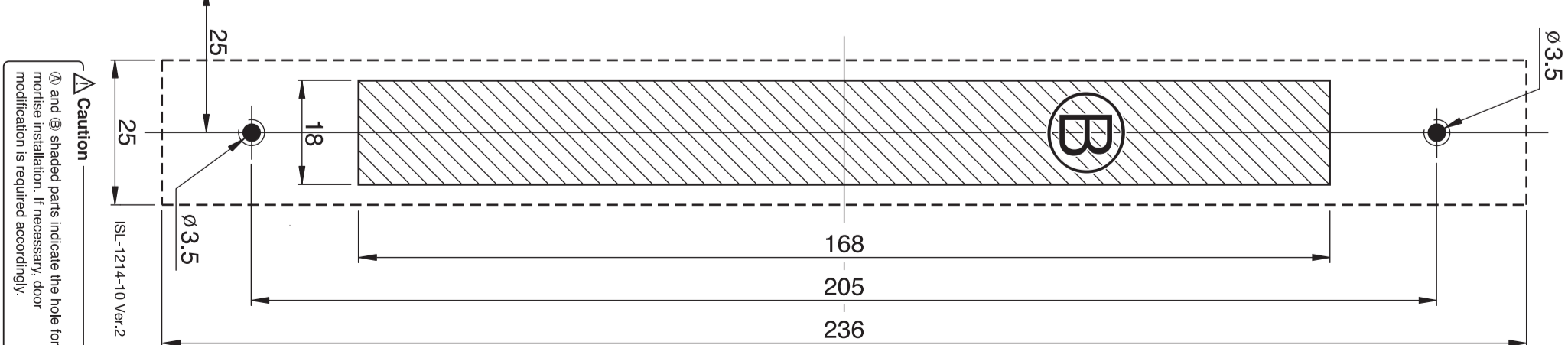
Fold the dotted line



Fold the dotted line



Fold the dotted line



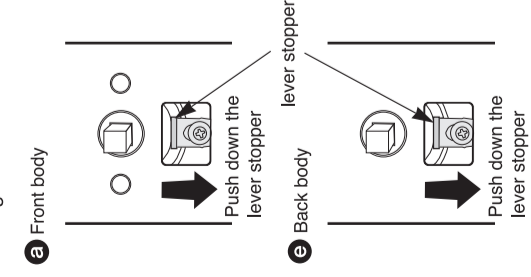
※ Factory default is right handed door.

■ Instruction

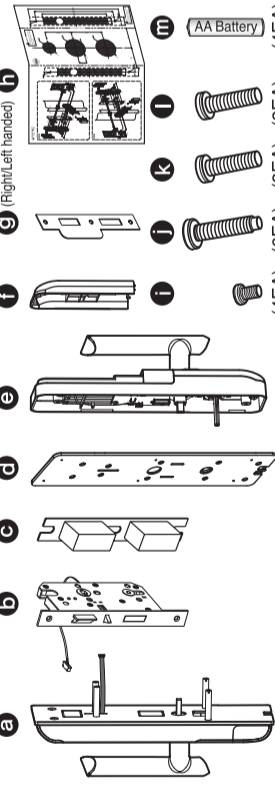
- Fixing screw
- Connection

How to change lever direction!

△ Make sure to grab the lever for safety reason when you change the direction.

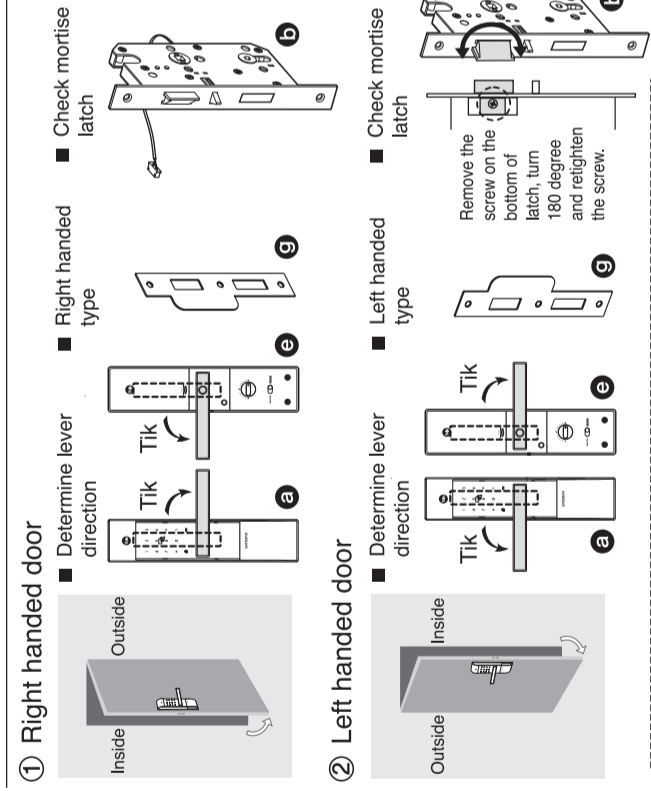


1 Package check



※ According to model type, Front and Back body design can be differed.

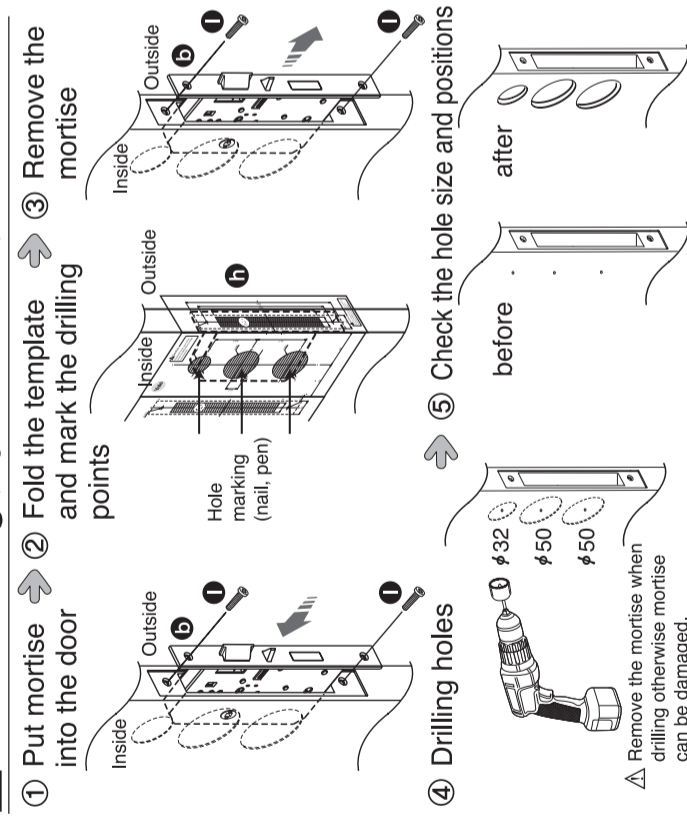
2 Determine door type



This product automatically detects the right and left side door. (field reversible) (how to set: It automatically sets when putting batteries. The door should open position.)

※ Lever direction adjustment : see left detail.

3 Hole cutting (Right handed door)



△ Remove the mortise when drilling otherwise mortise can be damaged.

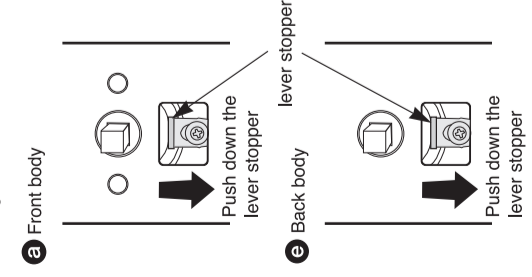
※ Factory default is right handed door.

■ Instruction

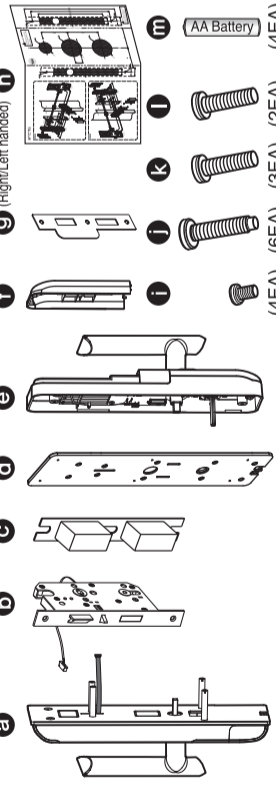
- Fixing screw
- Connection

How to change lever direction!

△ Make sure to grab the lever for safety reason when you change the direction.

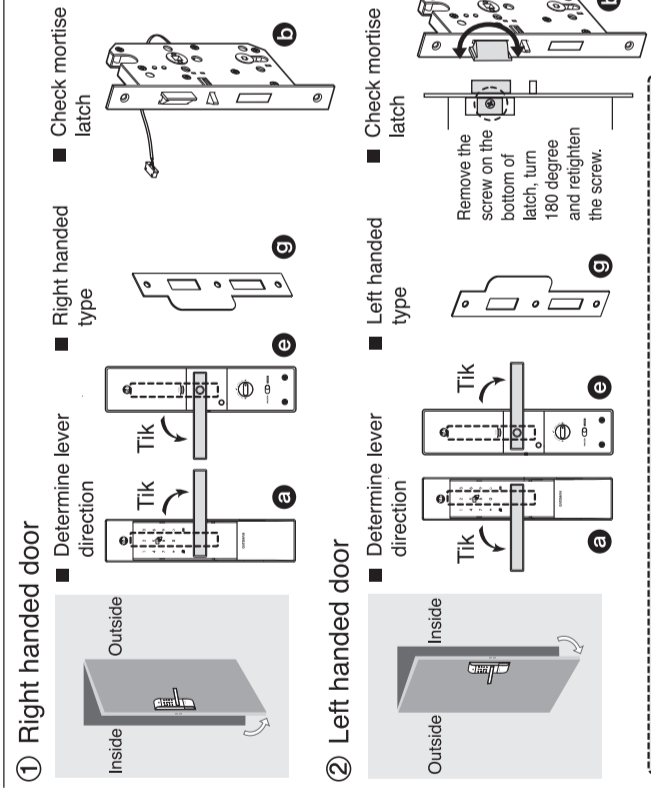


1 Package check



※ According to model type, Front and Back body design can be differed.

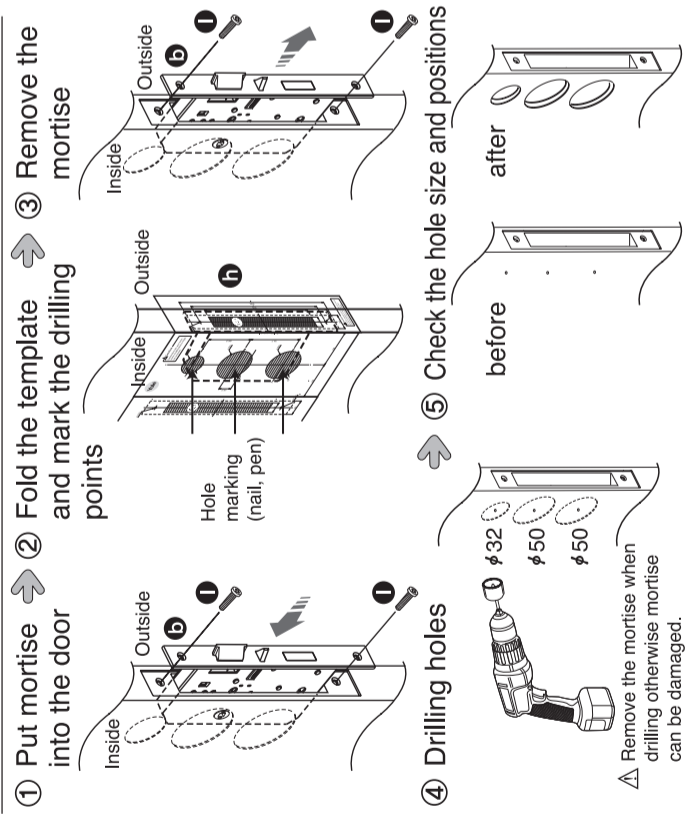
2 Determine door type



This product automatically detects the right and left side door. (field reversible) (how to set: It automatically sets when putting batteries. The door should open position.)

※ Lever direction adjustment : see left detail.

3 Hole cutting (Right handed door)



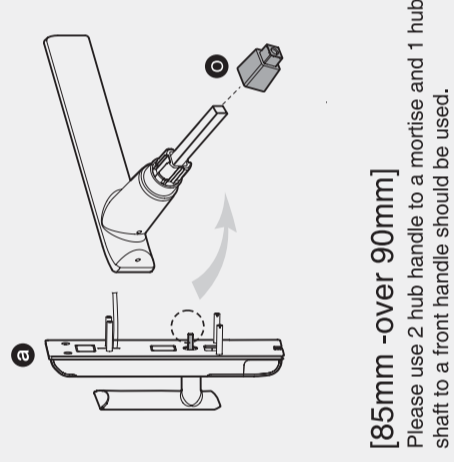
△ Remove the mortise when drilling otherwise mortise can be damaged.

How to adjust the door thickness

To install and use the product properly, proper use of Hub handle & hub shaft according to the door thickness should be used.

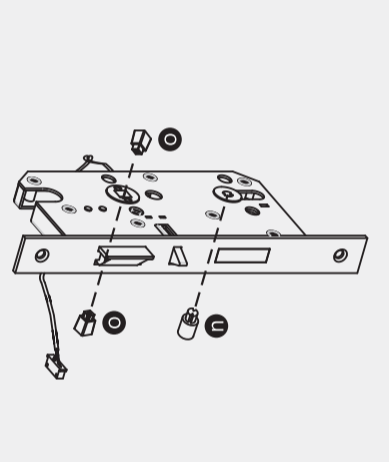
[70mm ~ 85mm]

Add hub handle on the front handle.



[85mm ~ over 90mm]

Please use 2 hub handle to a mortise and 1 hub shaft to a front handle should be used.



Caution

Cylinder key shaft



Cylinder key shaft & Mortise shaft on the specified place of the Mortise by a door thickness.

Gap between Cylinder key shaft & Mortise shaft should be 2mm or longer

Length of insertion between Cylinder key shaft & Mortise shaft should be 5mm or longer.

In case to cut it shorter by mistake, operate after assemble on the specified place of the Mortise

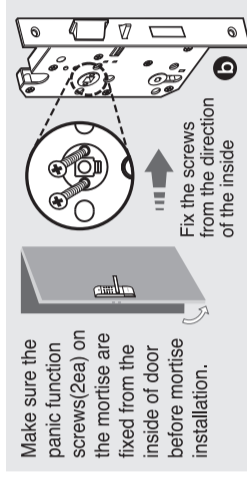
It may cause a problem to activate Mortise Ded bolt

In case to cut it longer by mistake, operate after assemble on the specified place of the Mortise

It may cause a problem on activation as the trailing end of Cylinder key shaft is against the trailing end of Mortise

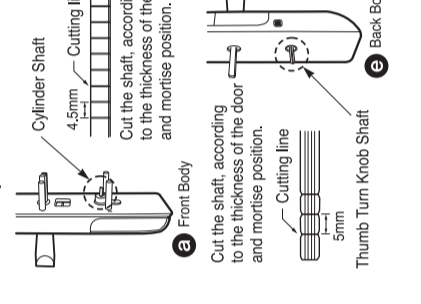
4 Installation (Right handed door)

1 Mortise installation



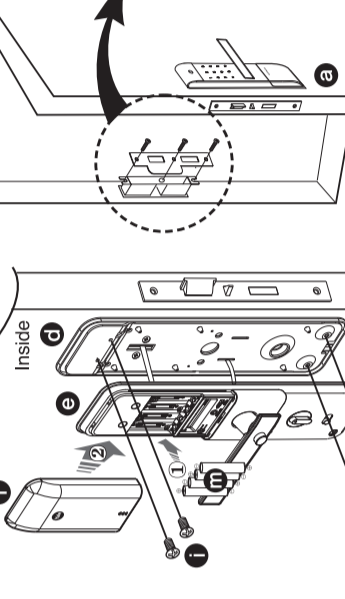
2 Front body installation

According to the door thickness, cut the cylinder and knob shaft.



3 Striker installation

open status



Caution

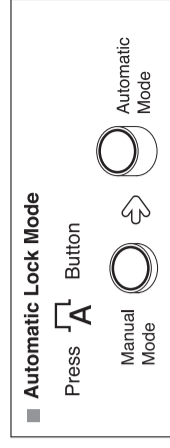
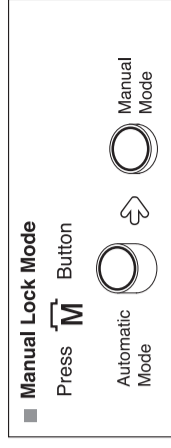
Make sure the insert batteries when the door is open position. (Make sure that automatic right and left side door detection sets when the door is open position.)

Check points for Installer

- The default Security Code is 1234567890. Test the Security Code works by pressing * 1234567890
- Alter key (Fingerprint, card, -button) registration, check the lock open. Check the Automatic Locking works properly.
- The door should be automatically locks in 5 seconds after closing.

Check points for Owner

- Re-register your own Security Code.
- Read the User Manual before further use.
- Register your own keys.
- Understand the Emergency Power Supply feature.
- Understand the Forced Lock Modes.

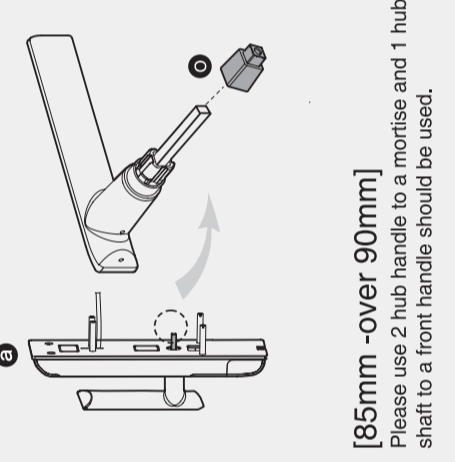


How to adjust the door thickness

To install and use the product properly, proper use of Hub handle & hub shaft according to the door thickness should be used.

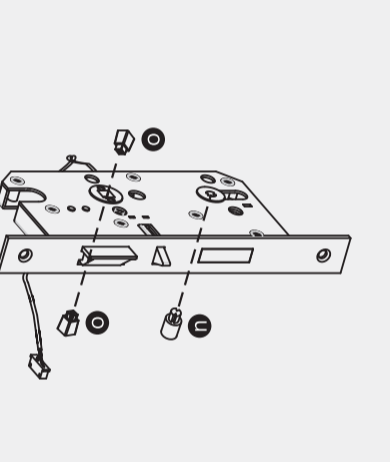
[70mm ~ 85mm]

Add hub handle on the front handle.



[85mm ~ over 90mm]

Please use 2 hub handle to a mortise and 1 hub shaft to a front handle should be used.



Caution

Cylinder key shaft



Cylinder key shaft & Mortise shaft on the specified place of the Mortise by a door thickness.

Gap between Cylinder key shaft & Mortise shaft should be 2mm or longer

Length of insertion between Cylinder key shaft & Mortise shaft should be 5mm or longer.

In case to cut it shorter by mistake, operate after assemble on the specified place of the Mortise

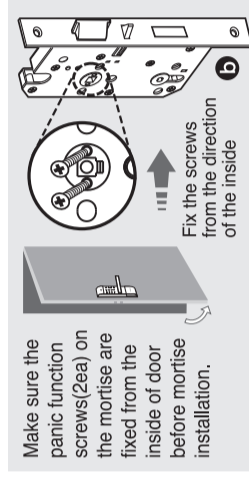
It may cause a problem to activate Mortise Ded bolt

In case to cut it longer by mistake, operate after assemble on the specified place of the Mortise

It may cause a problem on activation as the trailing end of Cylinder key shaft is against the trailing end of Mortise

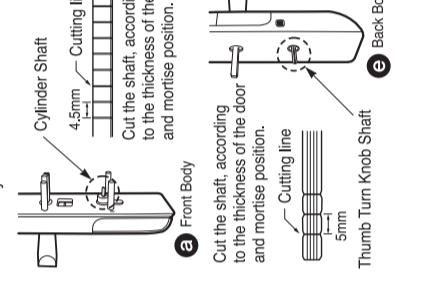
4 Installation (Right handed door)

1 Mortise installation



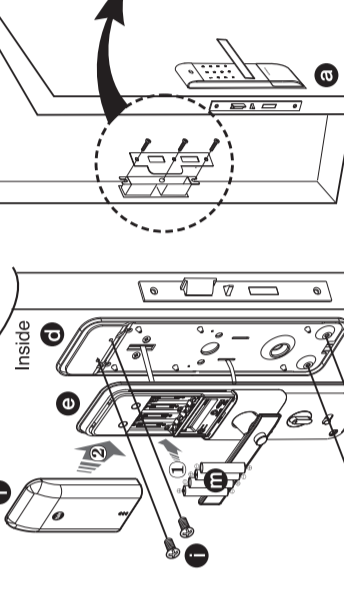
2 Front body installation

According to the door thickness, cut the cylinder and knob shaft.



3 Striker installation

open status



Caution

Make sure the insert batteries when the door is open position. (Make sure that automatic right and left side door detection sets when the door is open position.)

Check points for Installer

- The default Security Code is 1234567890. Test the Security Code works by pressing * 1234567890
- Alter key (Fingerprint, card, -button) registration, check the lock open. Check the Automatic Locking works properly.
- The door should be automatically locks in 5 seconds after closing.

Check points for Owner

- Re-register your own Security Code.
- Read the User Manual before further use.
- Register your own keys.
- Understand the Emergency Power Supply feature.
- Understand the Forced Lock Modes.

