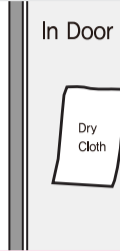


size: 270 x 170mm (아트지)

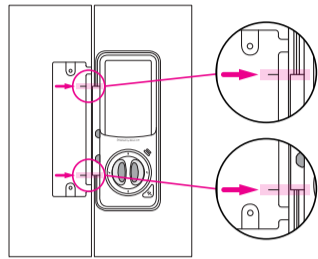
Installation Procedure (Double-opening door)

1
Rub a installation face with a Dry cloth or alcohols.

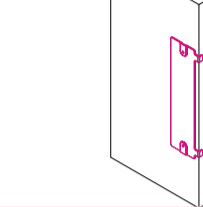


! If the installation surface is wet, the adhesive strength drops. Please remove the water on the surface before installing.

2
Place the product fitting the mark (seal) of the installation plate and the edge of the main body's U-frame.

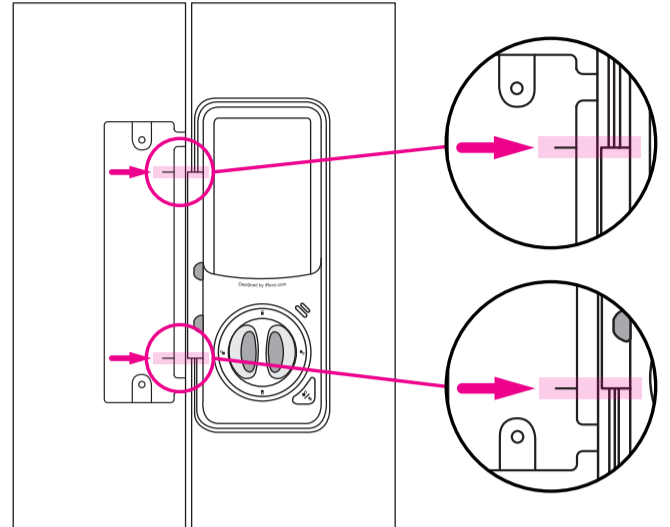


3
Remove the release paper on the installation plate for double-opening door then attach the plate from the inner side's edge.

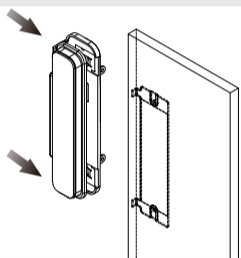


! make a single attempt in attaching, due to the tapes characteristics, the adhesive strength drops after a single attempt.

※ When mounting the installation plate on double opening door, Make of installation plate must be placed on the edge of the main body's U-frame. (see the pictures below for references)

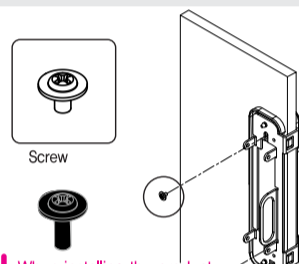


4
Push the latch for double-opening door on the plate appropriately.



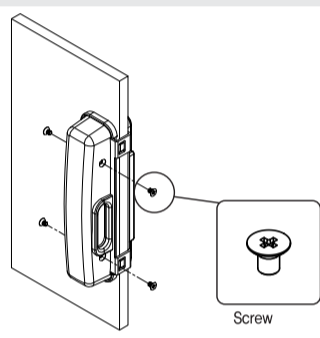
! take caution not to sweep the rubber

5
Secure the plate with the 2 plate securing screws.



! When installing the product with 10mm Gasket, You should use 7mm black screws.

6
Secure the latch with the 4 double-opening door latch screws.



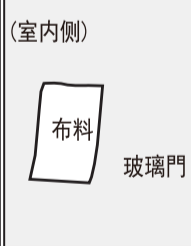
※ When stored in low temperatures, the double-sided tape's adhesive strength drops.
The product must be stored in room temperature.
※ After the installation, confirm if the door opens and closes properly.
※ Take caution not to apply excessive force on the installed product.

ISL-1438-01

安裝方法(雙開門用)

1 清潔玻璃門

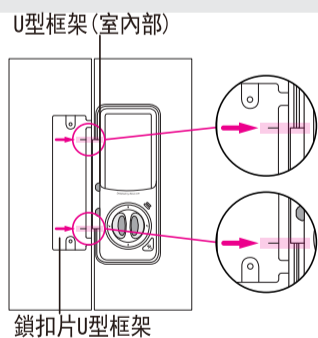
用布料或酒精清潔玻璃門的室內部



! 如在表面有水分, 黏性會降低
! 必須充分清除水分之後, 開始安裝

2 確認鎖扣片固定面板的位置

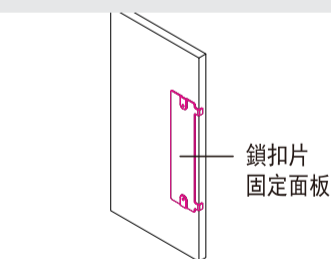
鎖扣片固定面板的刻印標示和室內部的前壳U型框架位置保持一致。



鎖扣片U型框架

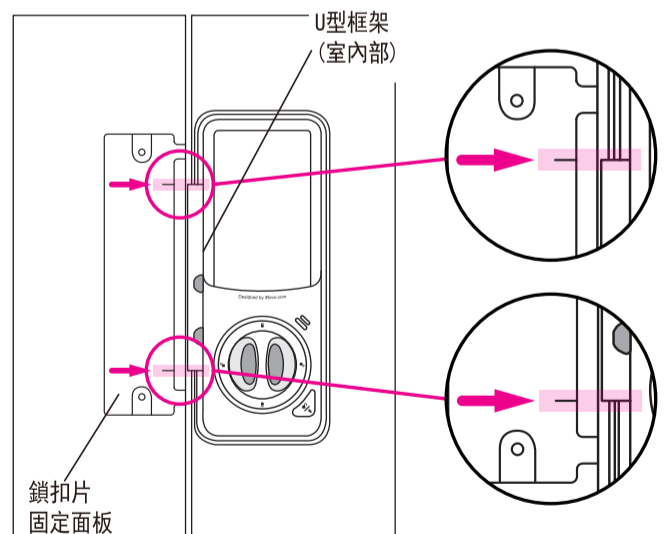
3 安裝鎖扣片固定面板

將鎖扣片固定面板的雙面膠帶保護膜撕去後, 靠室內側面部, 黏貼上固定板



! 請務必確認位置, 準確黏貼上

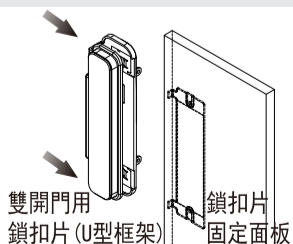
※ 安裝鎖扣片固定面板時, 鎖扣片固定面板的刻印標示和室內部的U型框架位置需保持一致(請參考下面圖片)



鎖扣片固定面板

4 安裝雙開門用鎖扣片

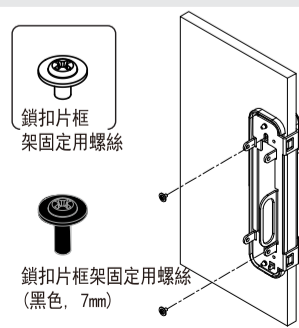
對準鎖扣片固定面板, 準確地插入雙開門用鎖扣片(U型框架). (請注意橡膠墊圈不要擠到裡面)



! 安裝鎖扣片時, 請不要強制
! 扳開鎖扣片的U型框架

5 安裝雙開門用鎖扣片

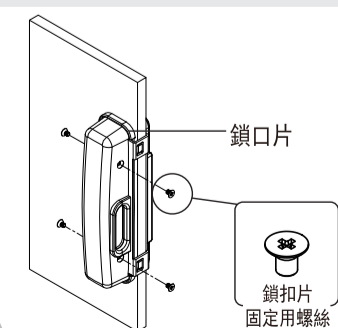
確認安裝黑色的2個U形框架固定用螺絲!
! 注意: 必須要用2個黑色螺絲(7mm)



鎖扣片框架固定用螺絲

鎖扣片框架固定用螺絲(黑色, 7mm)

6 鎖上4顆鎖扣片側邊螺絲



鎖口片

鎖扣片固定用螺絲

* 請於常溫下使用本產品。
* 安裝後, 請確認開/關動作是否正常使用